



CP-Q340 Waterproof QR Code Scanner



Strong reading ability

It can recognize the QR code and one-dimensional code on the screen of the mobile phone, support the enhanced engine mode, and can scan and read the code when the screen of the mobile phone is dark.

Paper code reading ability

The main QR codes and various one-dimensional codes printed on the paper can also be read.

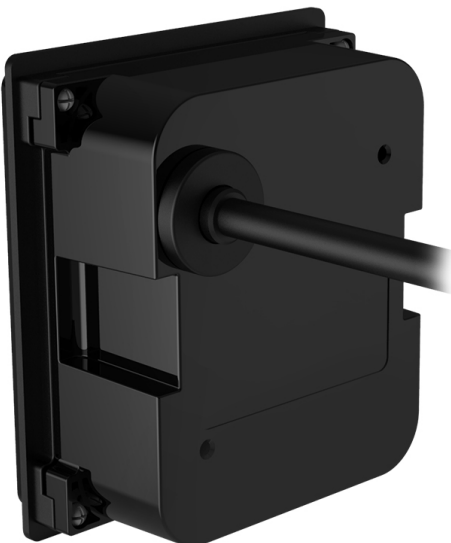


High speed reading

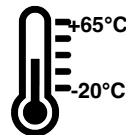
Different mobile phone LCD screens generally have different contrast, color, and degree of reflection, which can be read as long as the code system is within the reading window.

IP 65

This is an outdoor rate scanner. It is IP65.



PROTECTIVE LEVEL



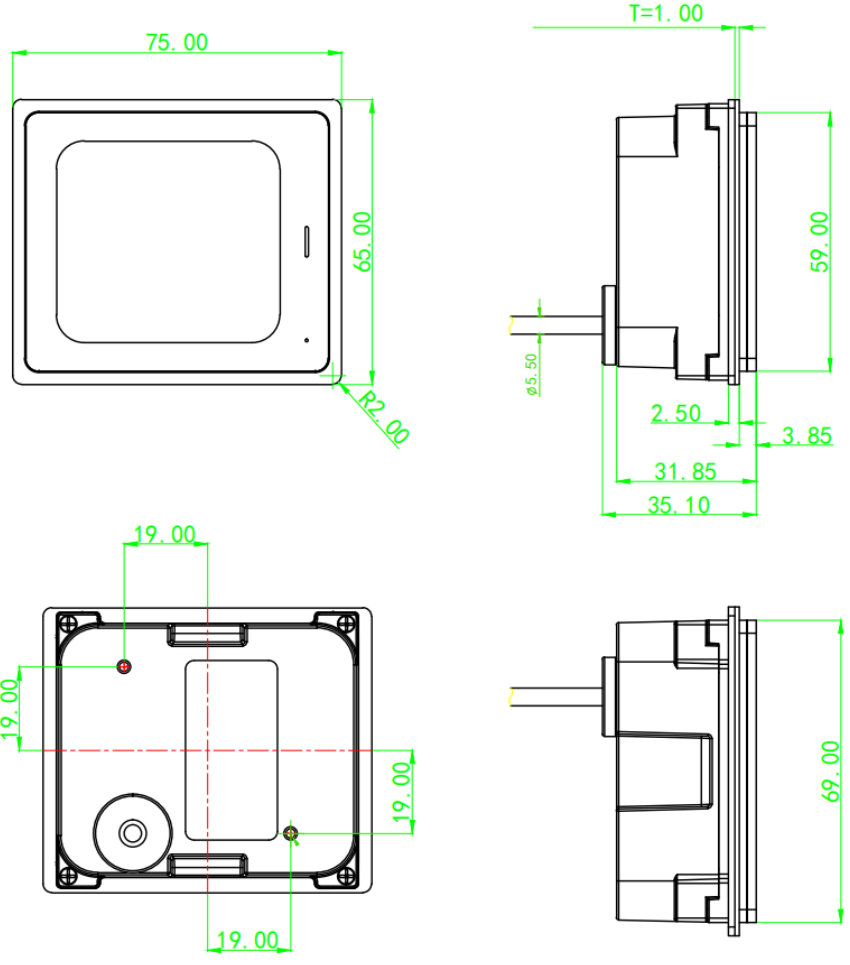
TEMPERATURE RANGE



HIGH-SPEED SCANNER



Physical dimension	75*65*35.10mm
Reading window dimension	51*46mm
Materials	ABS
Mounting method	Embedded mounting
Output interface	USB、RS232、RS485、TTL、wiegand
Indicating method	Red, green light indicator Beeper
Imaging sensor	300,000 pixel CMOS sensor
Max resolution	640*480



QR code recognition parameter

Symbologies	QR、PDF417、CODE39、CODE93、CODE128、ISBN10、ITF、EAN13、DATABAR、aztec, etc
Supported decoding	Both Mobile QR code and printed QR code
DOF	0mm~62.4mm(QRCODE 15mil)
Reading accuracy	≥8mil
Reading speed	100ms per time(average), support reading continuously
Reading direction	tilt±56.3° rotation±360° deflection±55.7° (15milQR)
FOV	Horizontal Field 72.1° Vertical field 56.6° filed angle 84.3° (15milQR)

RFID reading parameter

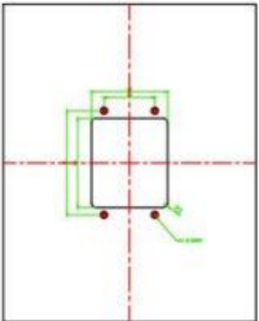
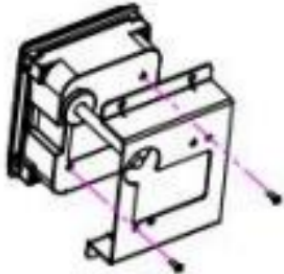
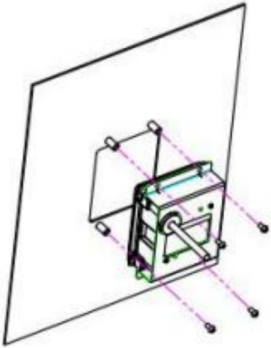
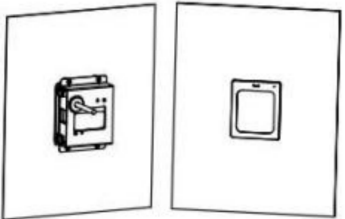
Supported cards	ISO 14443A, ISO 14443B protocol cards
Reading method	Read UID
Working frequency	13.56MHz
Distance	< 5cm





Working voltage	DC 5V-24V
Working current	280mA (5V typical value)
Power consumption	1400mW (5V typical value)

ESD protection	$\pm 8\text{kV}$ (Air discharge) , $\pm 4\text{kV}$ (contact discharge)
Working temp	-20°C - 65°C
Storage temp	-40°C - 80°C
RH	5%-95%(No condensation)(environment temperature 30°C)
Ambient light	0-100000Lux (Non direct sunlight)

			
Step 1: Open a hole in the mounting plate.	Step 3: Assemble the reader with the holder, and tighten the screws, then plug the cable.	Step 2: Assemble the holder with the mounting plate, then tighten the screws.	Step 4: Installation finished.

